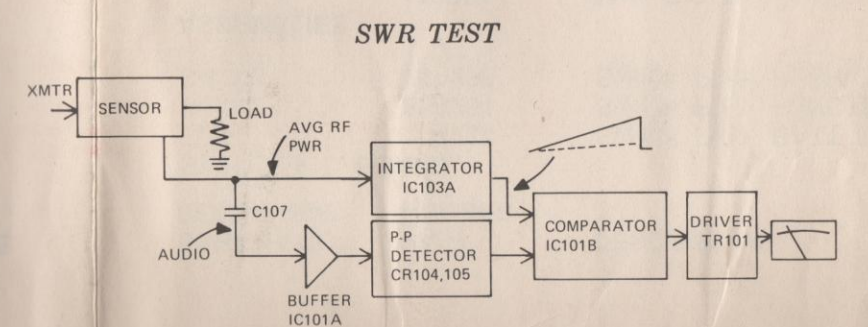
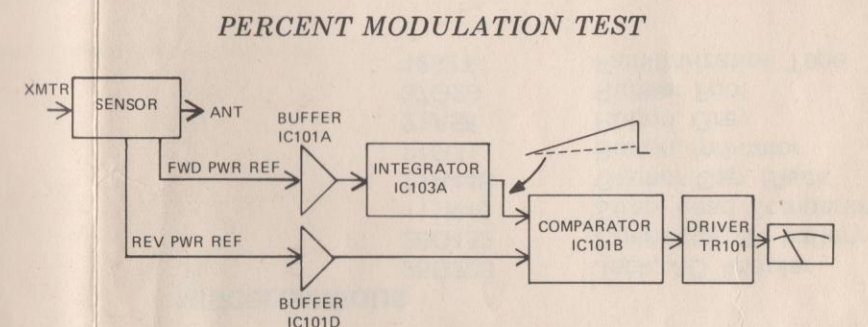
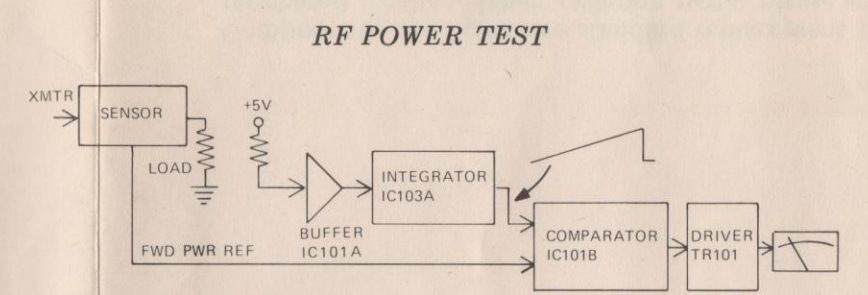


FUNCTION BLOCK DIAGRAMS



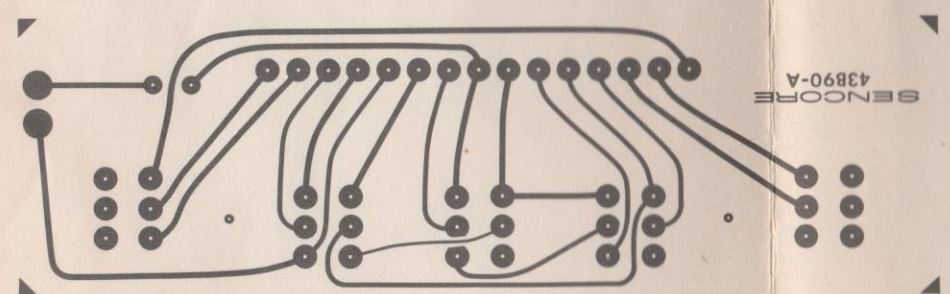
PC BOARD NO. 43B91

PC BOARD NO. 43B90-A

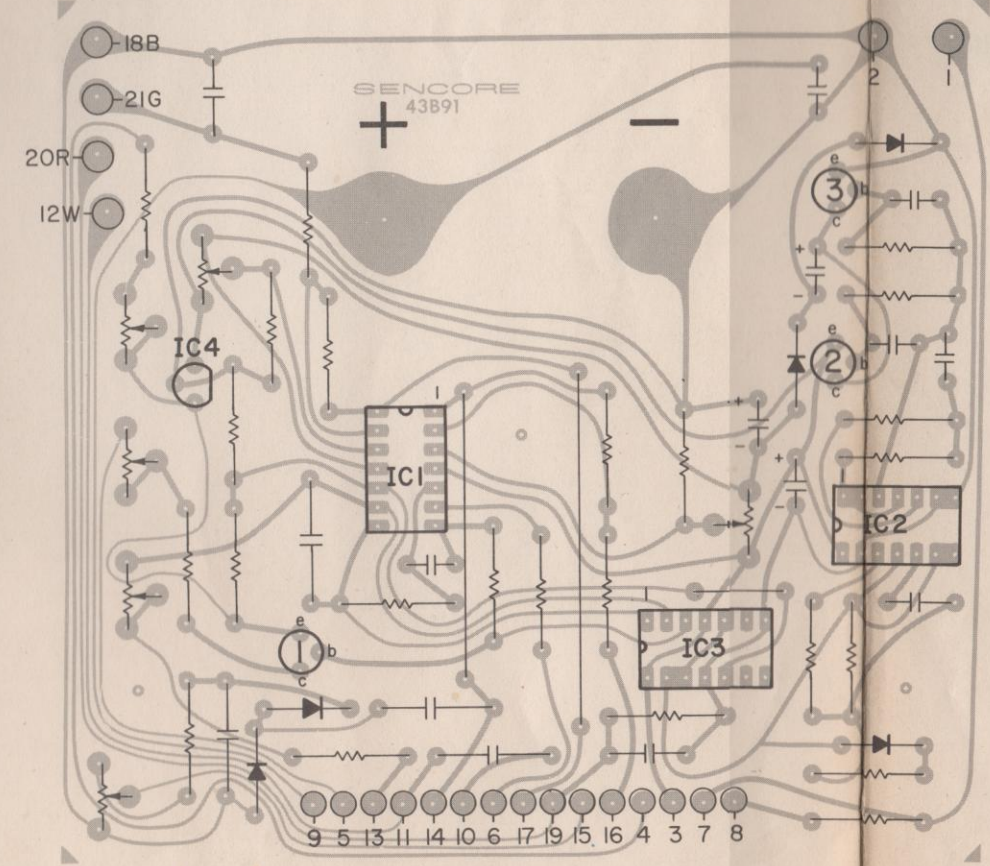
NOTES:
 1. FUNCTION SWITCH SHOWN IN RF POWER MODE.
 2. ALL RESISTANCES SHOWN IN OHMS; ALL CAPACITANCES AS SPECIFIED.
 3. FRONT PANEL CONTROL NAMES ARE ENCLOSED IN A BOX.

SCHEMATIC DIAGRAM CIB41

RUN NO. 10
 ISSUE DATE: 6-3-76

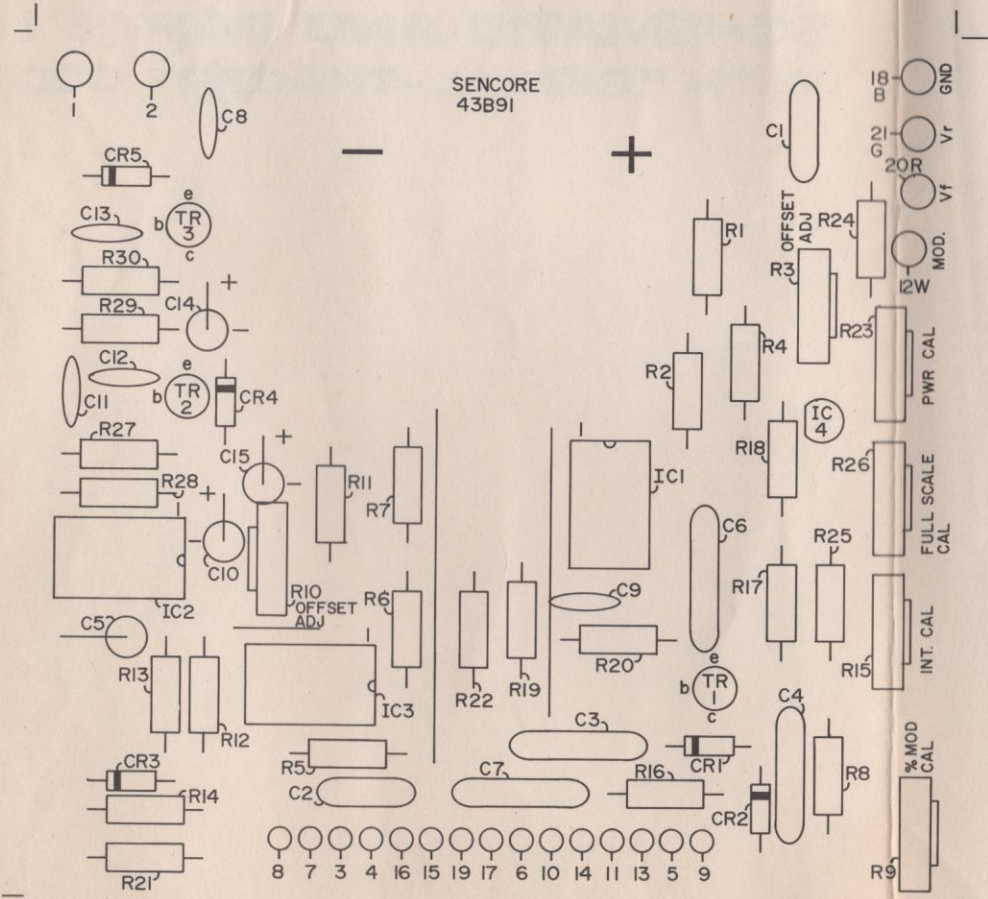


FOIL SIDE
 FUNCTION SWITCH PC BOARD



FOIL SIDE

MAIN PC BOARD



COMPONENT SIDE

SENOCORE
 SENOCORE 43B91